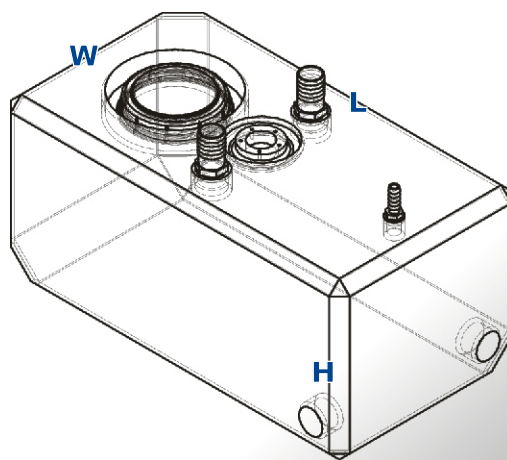
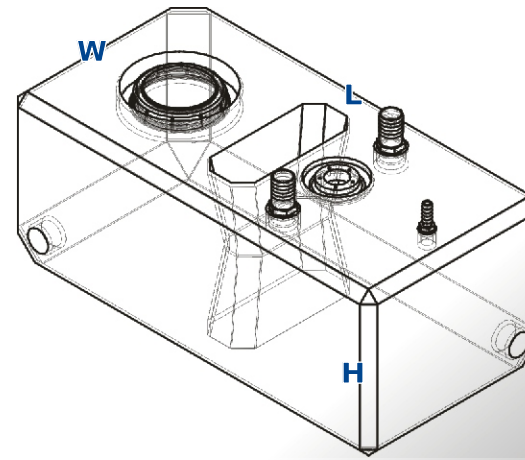


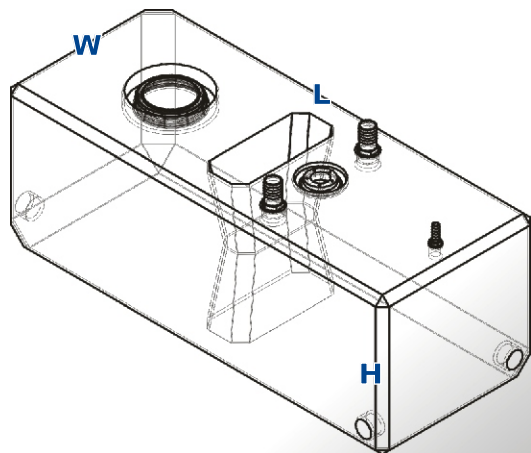
30 lt.
 Length=400
 Width=250
 Height=320
 Connections:
 n°1 - 38
 n°2 - 40
 Vent=25



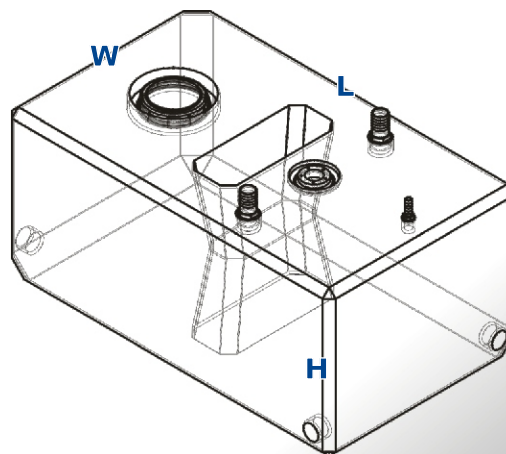
57 lt.
 Length=650
 Width=350
 Height=300
 Threaded
 connections:
 n°2-1"1/2 gas
 Connection:
 n°2 - 38
 Vent=16



83 lt.
 Length=800
 Width=400
 Height=320
 Threaded
 connections:
 n°2-1"1/2 gas
 Connection:
 n°2 - 38
 Vent=16



171 lt.
 Length=1100
 Width=450
 Height=400
 Threaded
 connections:
 n°3-1"1/2 gas
 Connection:
 n°2 - 38
 Vent=16



215 lt.
 Length=980
 Width=580
 Height=440
 Threaded
 connections:
 n°3-1"1/2 gas
 Connection:
 n°2 - 38
 Vent=16



WASTE WATER TANKS

www.sic-divisione-elettronica.it

