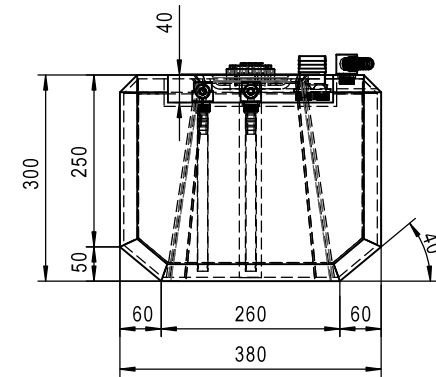
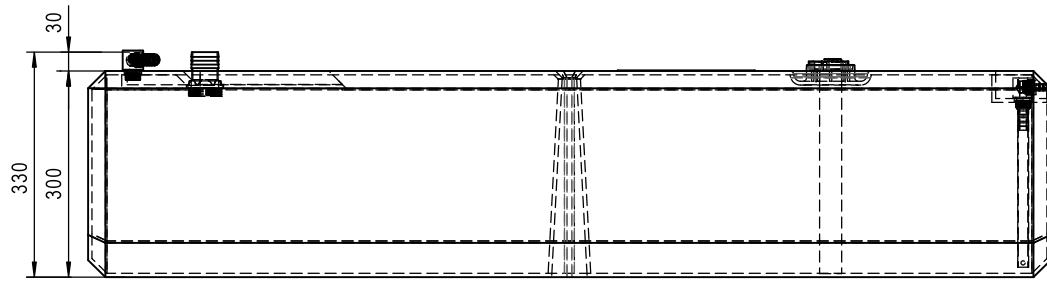
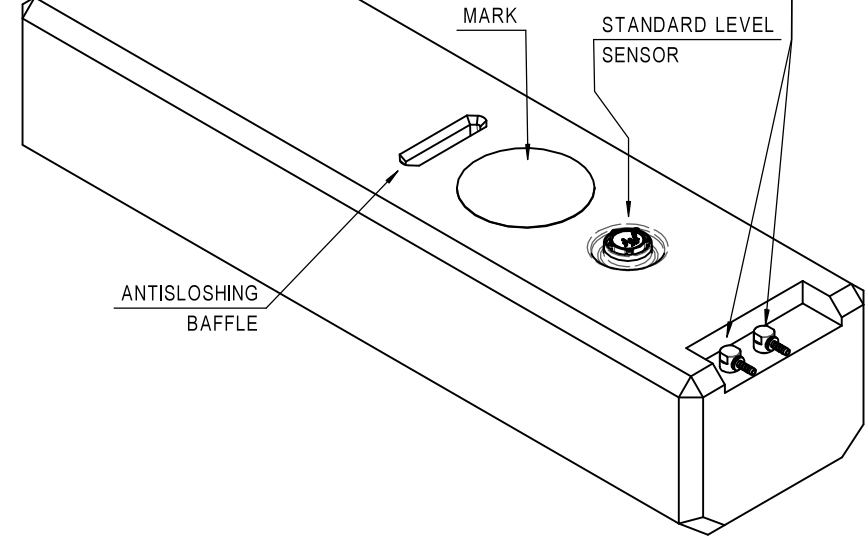


VENT - HOSE
 HOLDER \varnothing 16 mm.
 (MCTF0205+MCTF16AA)


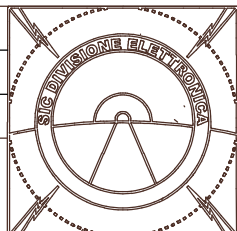

LOAD - HOSE
 HOLDER \varnothing 38 mm.
 (MCTF0255)

FEED - HOSE
 HOLDER \varnothing 10 mm.
 Pipe L = 230 mm.
 (MCTF0204+MCTF10AA)



HPSB0026
 PCSR0064

General geometrical tolerances ISO 2768-mK. Theoretically exact dimensions not shown derived from 3D CAD

PROJECT HPSB0026 Gasoline tank 141 litres				PART NUMBER -		DRAWN BY F. DANESE	
DESCRIPTION HPSB0026 Gasoline tank 141 litres				APPROVED BY G. AGUGLIA		DATE 02/04/2026	
MATERIAL XLPE	WEIGHT 12 kg.	AVG THICKNESS 6 mm.	TYPE -	DIMENSIONS IN MM 			
SHEET -	FORMAT A4	REV. 1	STERN  BOW				

DESIGN PROPERTY OF SIC DIVISIONE ELETTRONICA S.p.A. REPRODUCTION, DUPLICATION TO THIRD PARTIES AND ANY OTHER USE THAT HAS NOT BEEN AUTHORIZED IN WRITING IS PROHIBITED