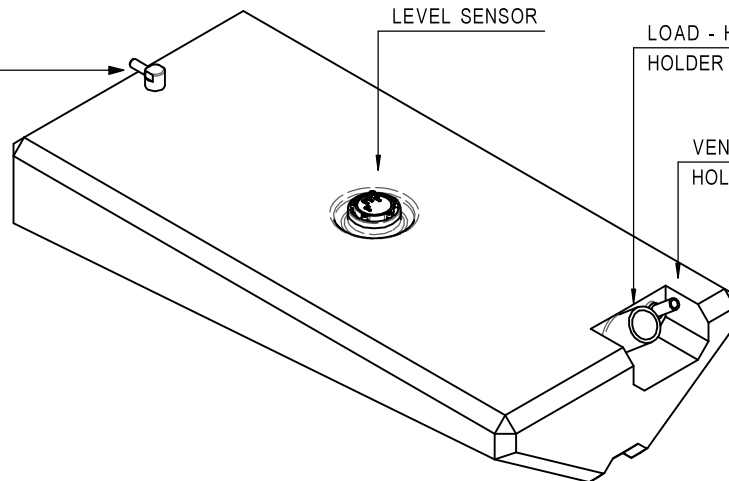


FEED - HOSE
 HOLDER \varnothing 12 mm.
 Pipe L = 190 mm.
 (MCTF0122+MCTF0134)

LEVEL SENSOR


LOAD - HOSE
 HOLDER $40^\circ \times \varnothing$ 38 mm.

VENT - HOSE
 HOLDER $40^\circ \times \varnothing$ 16 mm.

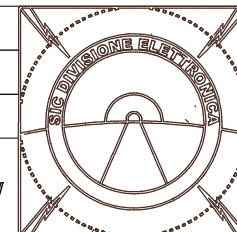


HPSB0028

General geometrical tolerances ISO 2768-mK. Theoretically exact dimensions not shown derived from 3D CAD

PROJECT HPSB0028 Gasoline tank 60 litres		PART NUMBER -		DRAWN BY F. DANESE	
DESCRIPTION HPSB0028 Gasoline tank 60 litres		APPROVED BY G. AGUGLIA		DATE 18/05/2026	
MATERIAL XLPE	WEIGHT 5,9 kg.	AVG THICKNESS 6 mm.	TYPE -	 DIMENSIONS IN MM	
SHEET 1/1	FORMAT A4	REV. 1	REV. 1		

STERN  BOW



DESIGN PROPERTY OF SIC DIVISIONE ELETTRONICA S.r.l.; REPRODUCTION, DUPLICATION TO THIRD PARTIES AND ANY OTHER USE THAT HAS NOT BEEN AUTHORIZED IN WRITING IS PROHIBITED