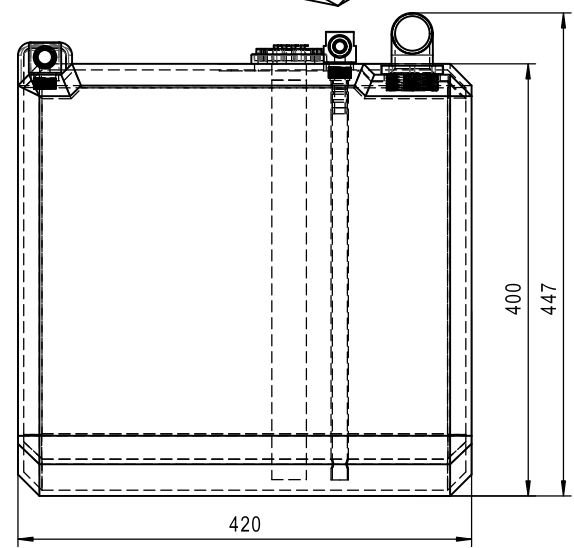
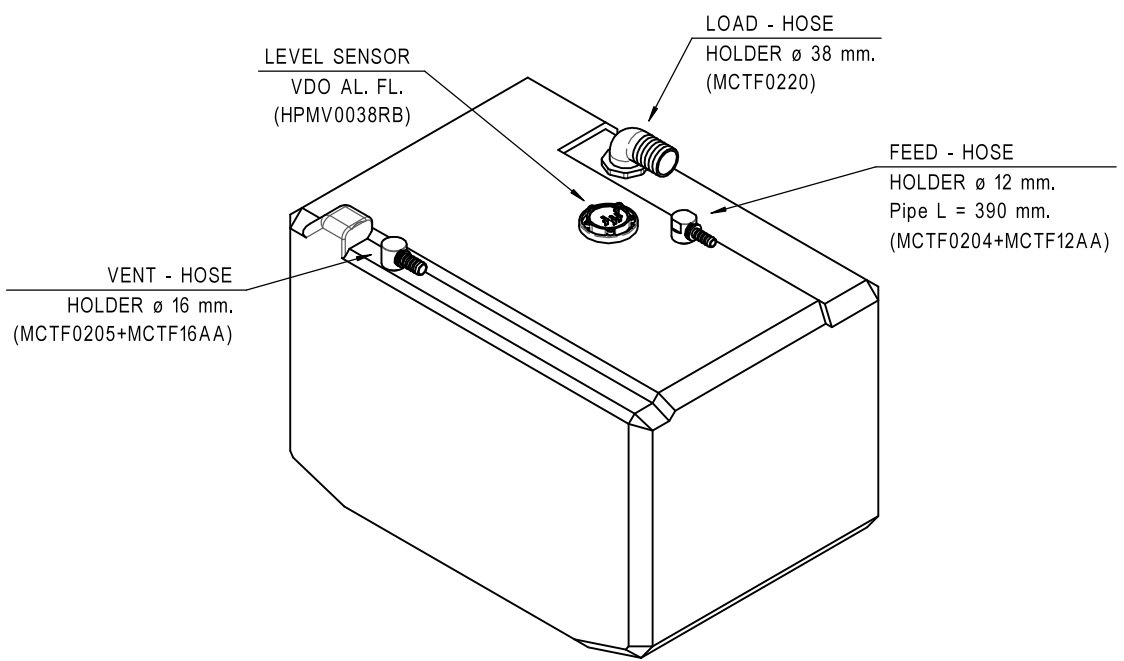


HPSB0059
PCSR0100



General geometrical tolerances ISO 2768-mK. Theoretically exact dimensions not shown derived from 3D CAD

PROJECT HPSB0059 Gasoline tank 93 litres				PART NUMBER -		DRAWN BY F. DANESE	
DESCRIPTION HPSB0059 Gasoline tank 93 litres				APPROVED BY G. AGUGLIA		DATE 06/03/2026	
MATERIAL XLPE	WEIGHT 6,7 kg.	AVG THICKNESS 6 mm.	TYPE -	DIMENSIONS IN MM 			
SHEET 1 / 1	FORMAT A4	REV. 1					

DESIGN PROPERTY OF SIC DIVISIONE ELETTRONICA S.r.l.; REPRODUCTION, DUPLICATION TO THIRD PARTIES AND ANY OTHER USE THAT HAS NOT BEEN AUTHORIZED IN WRITING IS PROHIBITED