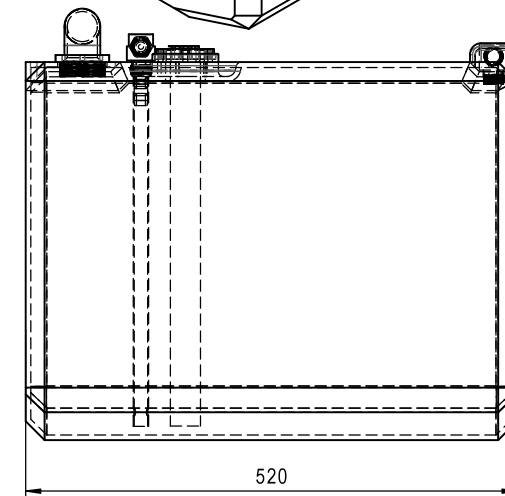
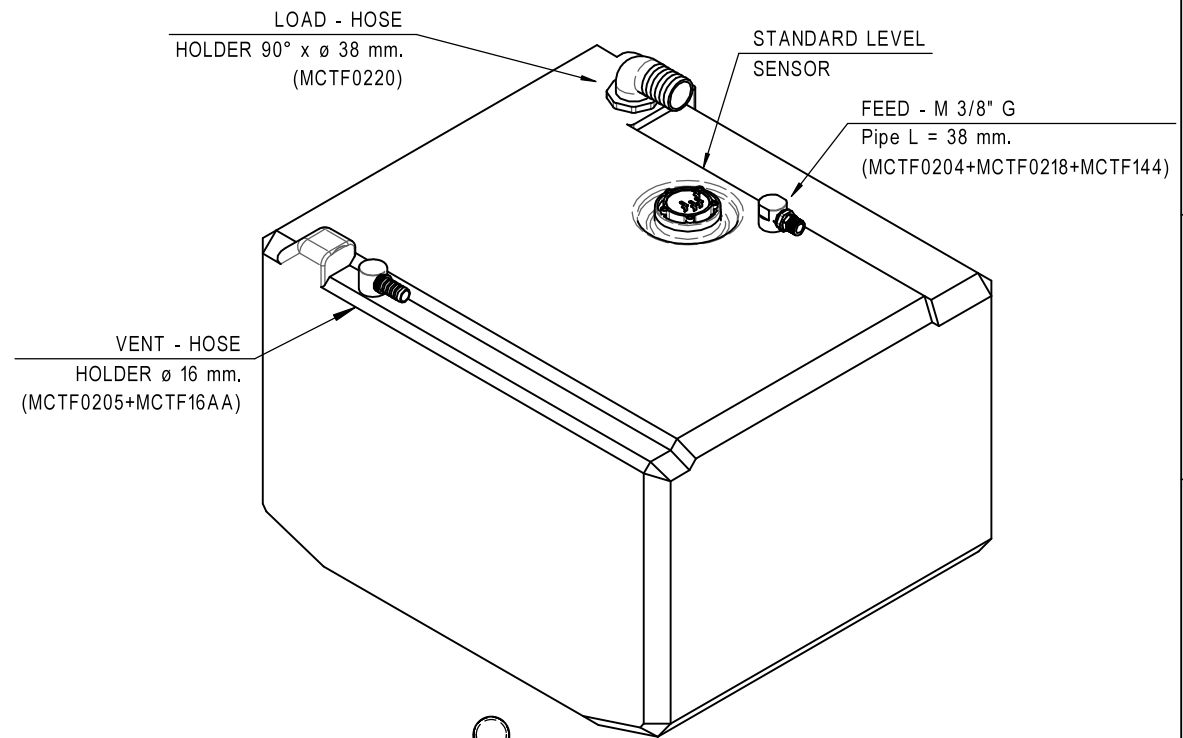


HPSB0060
PCSR0103



General geometrical tolerances ISO 2768-mK. Theoretically exact dimensions not shown derived from 3D CAD

PROJECT HPSB0060 Gasoline tank 116 litres				PART NUMBER -		DRAWN BY F. DANESE	
DESCRIPTION HPSB0060 Gasoline tank 116 litres				 DIMENSIONS IN MM		APPROVED BY G. AGUGLIA	
						DATE 07/04/2026	
MATERIAL XLPE	WEIGHT 9,4 kg.	AVG THICKNESS 6 mm.	TYPE -				
SHEET -	FORMAT A4	REV. 1					

DESIGN PROPERTY OF SIC DIVISIONE ELETTRONICA S.r.l.; REPRODUCTION, DUPLICATION TO THIRD PARTIES AND ANY OTHER USE THAT HAS NOT BEEN AUTHORIZED IN WRITING IS PROHIBITED

