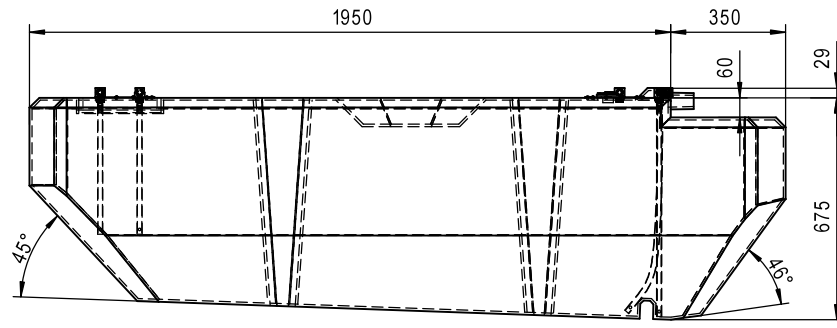
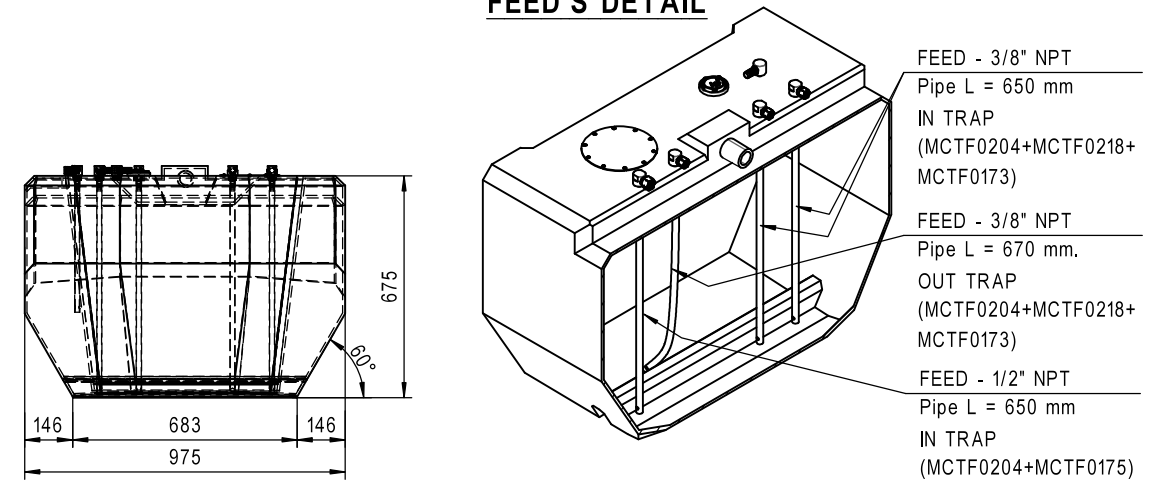


FEED'S DETAIL



HPSB01B5
PCSR0230-2OR

General geometrical tolerances ISO 2768-mK. Theoretically exact dimensions not shown derived from 3D CAD				PART NUMBER		DRAWN BY	
PROJECT HPSB01B5 Diesel tank 1065 litres				-		F. DANESE	
DESCRIPTION HPSB01B5 Diesel tank 1065 litres				APPROVED BY		G. AGUGLIA	
				DATE		01/04/2026	
MATERIAL	WEIGHT	AVGN THICKNESS	TYPE	DIMENSIONS IN MM			
XLPE	63 kg.	7,5 mm.	-				
SHEET	FORMAT	REV.		STERN BOW			
-	A4	1					
DESIGN PROPERTY OF SIC DIVISIONE ELETTRONICA S.r.l.; REPRODUCTION, DUPLICATION TO THIRD PARTIES AND ANY OTHER USE THAT HAS NOT BEEN AUTHORIZED IN WRITING IS PROHIBITED							

