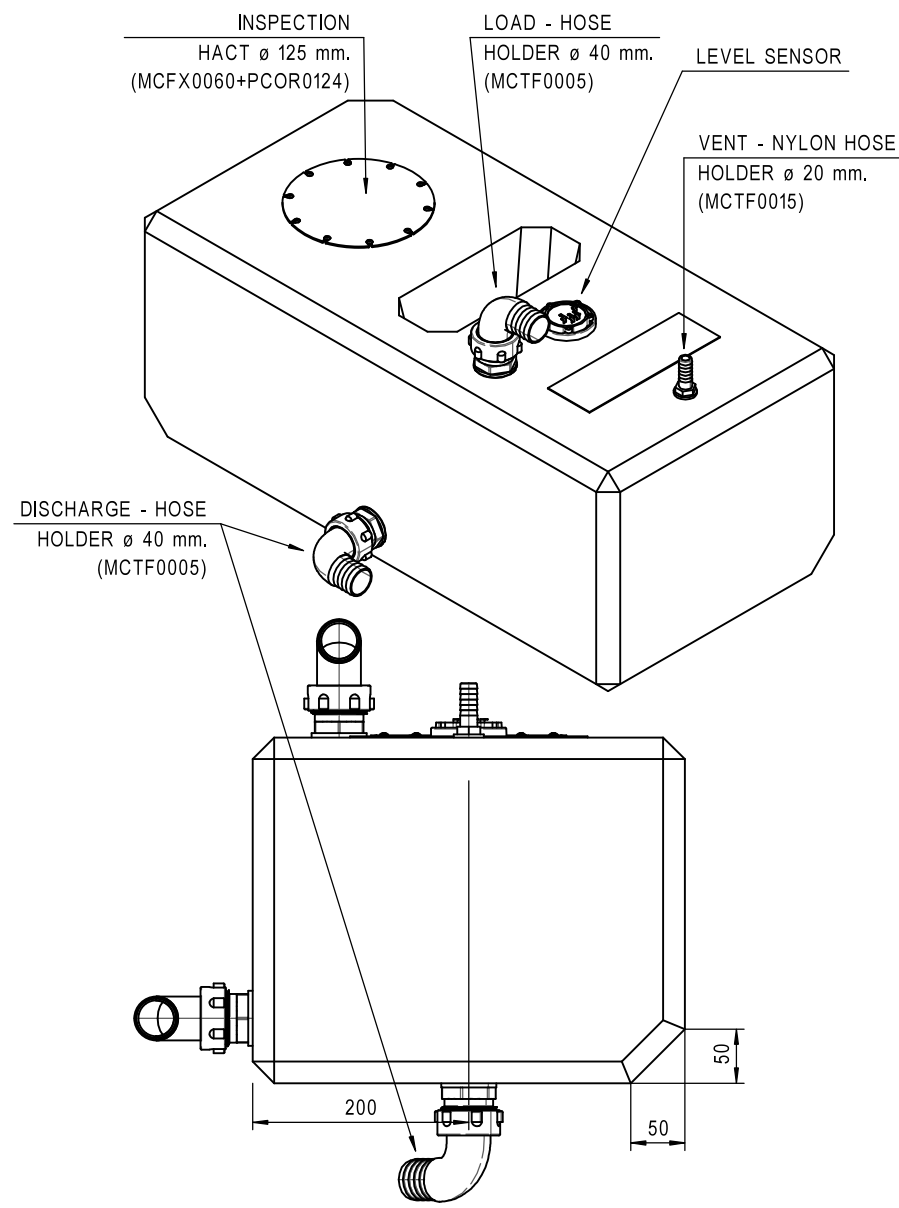


HPSN0044  
PCSN0042



General geometrical tolerances ISO 2768-mK. Theoretically exact dimensions not shown derived from 3D CAD

PROJECT HPSN0044 Waste water tank 83 litres		PART NUMBER -		DRAWN BY F. DANESE	
DESCRIPTION HPSN0044 Waste water tank 83 litres		APPROVED BY G. AGUGLIA		DATE 05/03/2026	
MATERIAL XLPE	WEIGHT 8 kg.	AVG THICKNESS 6 mm.	TYPE -	DIMENSIONS IN MM STERN  BOW	
SHEET -	FORMAT A4	REV. 1			

DESIGN PROPERTY OF SIC DIVISIONE ELETTRONICA S.r.l.; REPRODUCTION, DUPLICATION TO THIRD PARTIES AND ANY OTHER USE THAT HAS NOT BEEN AUTHORIZED IN WRITING IS PROHIBITED