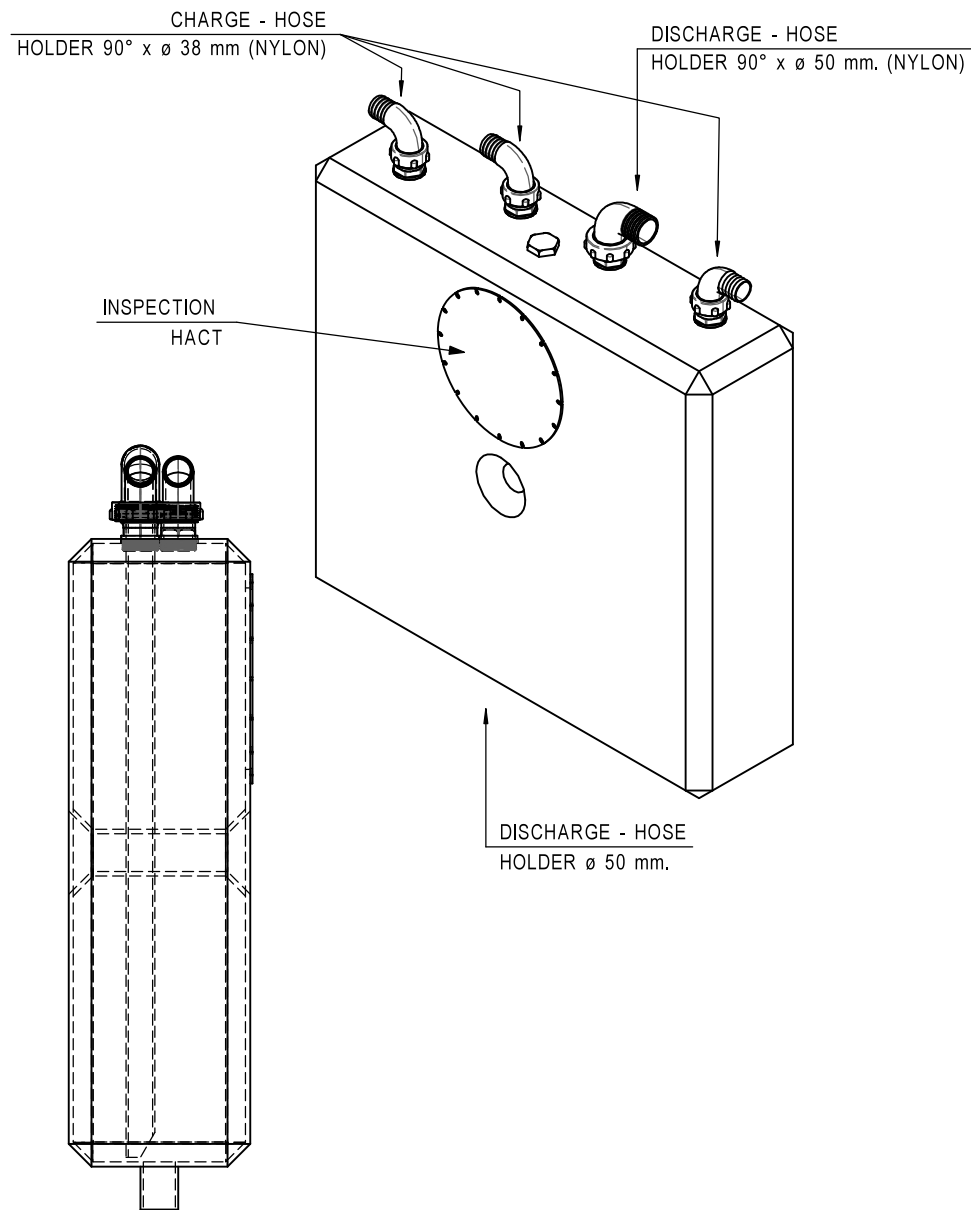


HPSN0046
PCSN0044



General geometrical tolerances ISO 2768-mK. Theoretically exact dimensions not shown derived from 3D CAD

PROJECT HPSN0046 Waste water tank 162 litres				PART NUMBER -		DRAWN BY F. DANESE	
DESCRIPTION HPSN0046 Waste water tank 162 litres				 DIMENSIONS IN MM		APPROVED BY G. AGUGLIA	
						DATE 18/05/2026	
MATERIAL XLPE	WEIGHT 15,6 kg.	AVG THICKNESS 6 mm.	TYPE -	STERN BOW			
SHEET 1/1	FORMAT A4	REV. 1					

DESIGN PROPERTY OF SIC DIVISIONE ELETTRONICA S.r.l.; REPRODUCTION, DUPLICATION TO THIRD PARTIES AND ANY OTHER USE THAT HAS NOT BEEN AUTHORIZED IN WRITING IS PROHIBITED

