

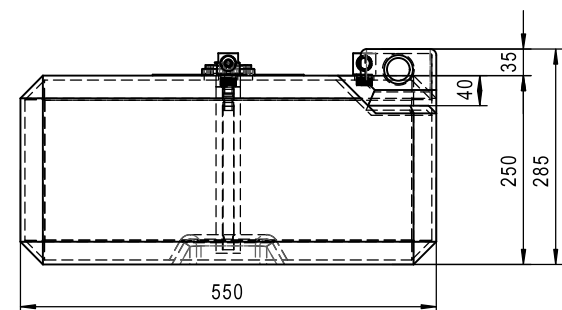
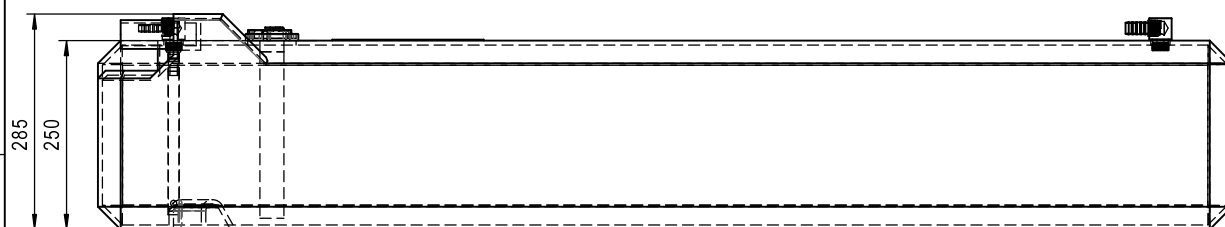
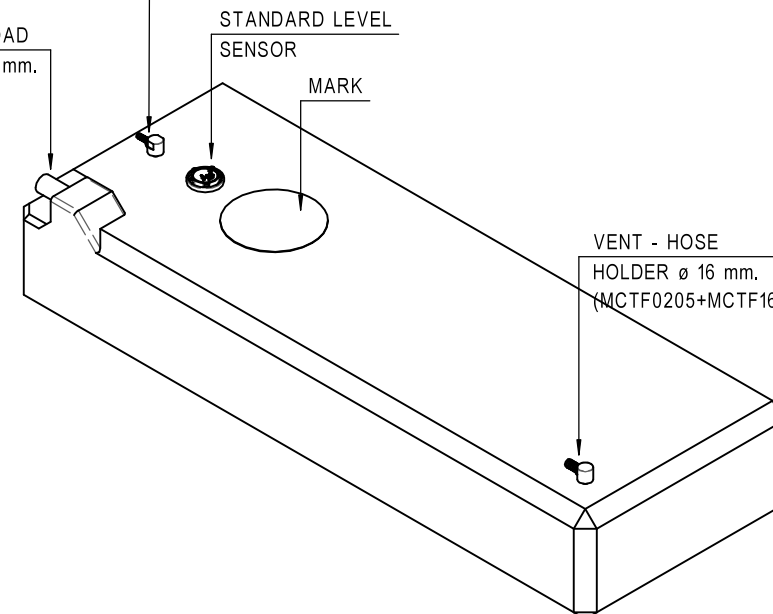
FEED - HOSE  
 HOLDER  $\varnothing$  10 mm.  
 Pipe L = 220 mm.  
 (MCTF0204+MCTF10AA)

LOAD  
 $\varnothing$  38 mm.

STANDARD LEVEL  
 SENSOR

MARK

VENT - HOSE  
 HOLDER  $\varnothing$  16 mm.  
 (MCTF0205+MCTF16AA)



HPSR0068  
 PCSR0258

General geometrical tolerances ISO 2768-mK. Theoretically exact dimensions not shown derived from 3D CAD				PART NUMBER -		DRAWN BY F. DANESE		
PROJECT HPSR0068 Gasoline tank 192 litres				APPROVED BY G. AGUGLIA		DATE 21/04/2026		
DESCRIPTION HPSR0068 Gasoline tank 192 litres				DIMENSIONS IN MM		STERN  BOW		
MATERIAL XLPE	WEIGHT 14,3 kg.	AVG THICKNESS 6 mm.	TYPE -	SHEET 1/1	FORMAT A4	REV. 1		
DESIGN PROPERTY OF SIG DIVISIONE ELETTRONICA S.p.A. REPRODUCTION, DUPLICATION TO THIRD PARTIES AND ANY OTHER USE THAT HAS NOT BEEN AUTHORIZED IN WRITING IS PROHIBITED								