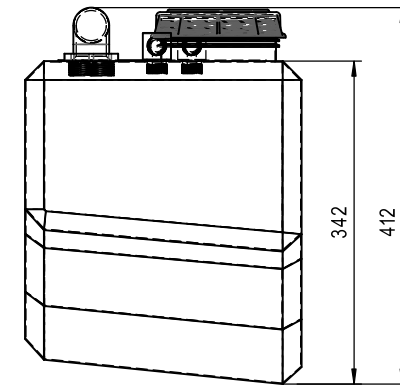
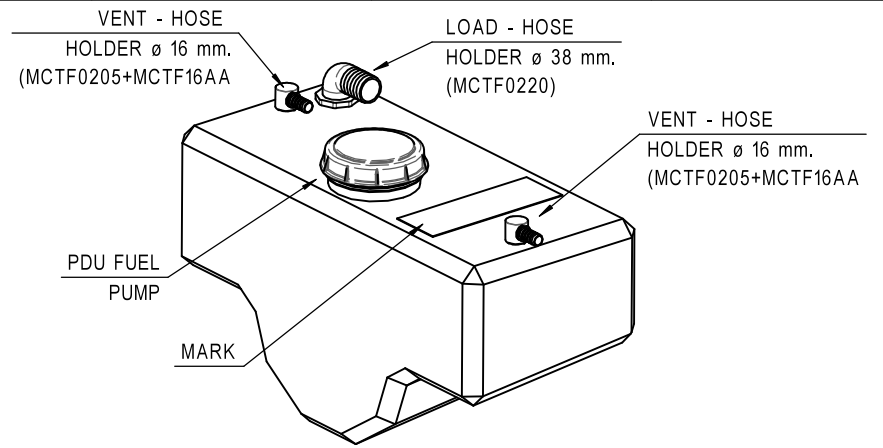


HPSC0210
PCSR0296



AT305

General geometrical tolerances ISO 2768-mK. Theoretically exact dimensions not shown derived from 3D CAD

PROJECT HPSC0210 Gasoline tank 38 litres		PART NUMBER -		DRAWN BY F. DANESE		 DIMENSIONS IN MM	
DESCRIPTION HPSC0210 Gasoline tank 38 litres				APPROVED BY G. AGUGLIA			
				DATE 05/03/2026			
MATERIAL XLPE	WEIGHT 5,5 kg.	AVG THICKNESS 6 mm.	TYPE -	STERN BOW			
SHEET -	FORMAT A4	REV. 1					

DESIGN PROPERTY OF SIC DIVISIONE ELETTRONICA S.r.l.; REPRODUCTION, DUPLICATION TO THIRD PARTIES AND ANY OTHER USE THAT HAS NOT BEEN AUTHORIZED IN WRITING IS PROHIBITED