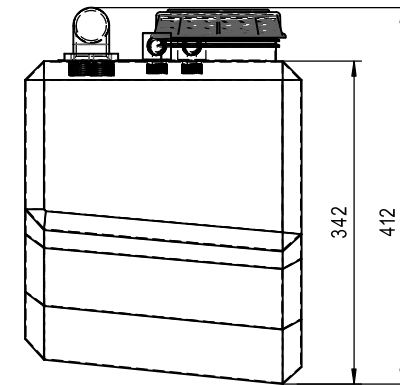
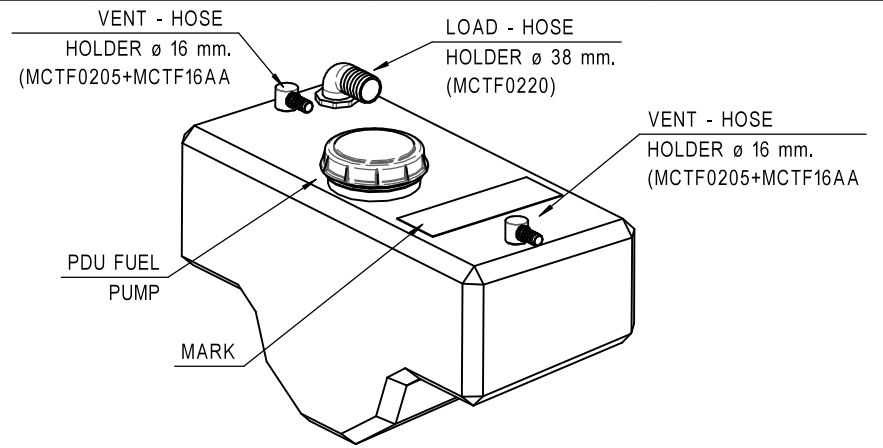


HPSC0210  
PCSR0296



General geometrical tolerances ISO 2768-mK. Theoretically exact dimensions not shown derived from 3D CAD

PROJECT HPSC0210 Gasoline tank 38 litres				PART NUMBER -		DRAWN BY F. DANESE	
DESCRIPTION HPSC0210 Gasoline tank 38 litres				 DIMENSIONS IN MM		APPROVED BY G. AGUGLIA	
						DATE 05/03/2026	
MATERIAL	WEIGHT	AVG THICKNESS	TYPE				
XLPE	5,5 kg.	6 mm.	-				
SHEET		FORMAT	REV.				
-		A4	1				

DESIGN PROPERTY OF SIC DIVISIONE ELETTRONICA S.r.l.; REPRODUCTION, DUPLICATION TO THIRD PARTIES AND ANY OTHER USE THAT HAS NOT BEEN AUTHORIZED IN WRITING IS PROHIBITED

